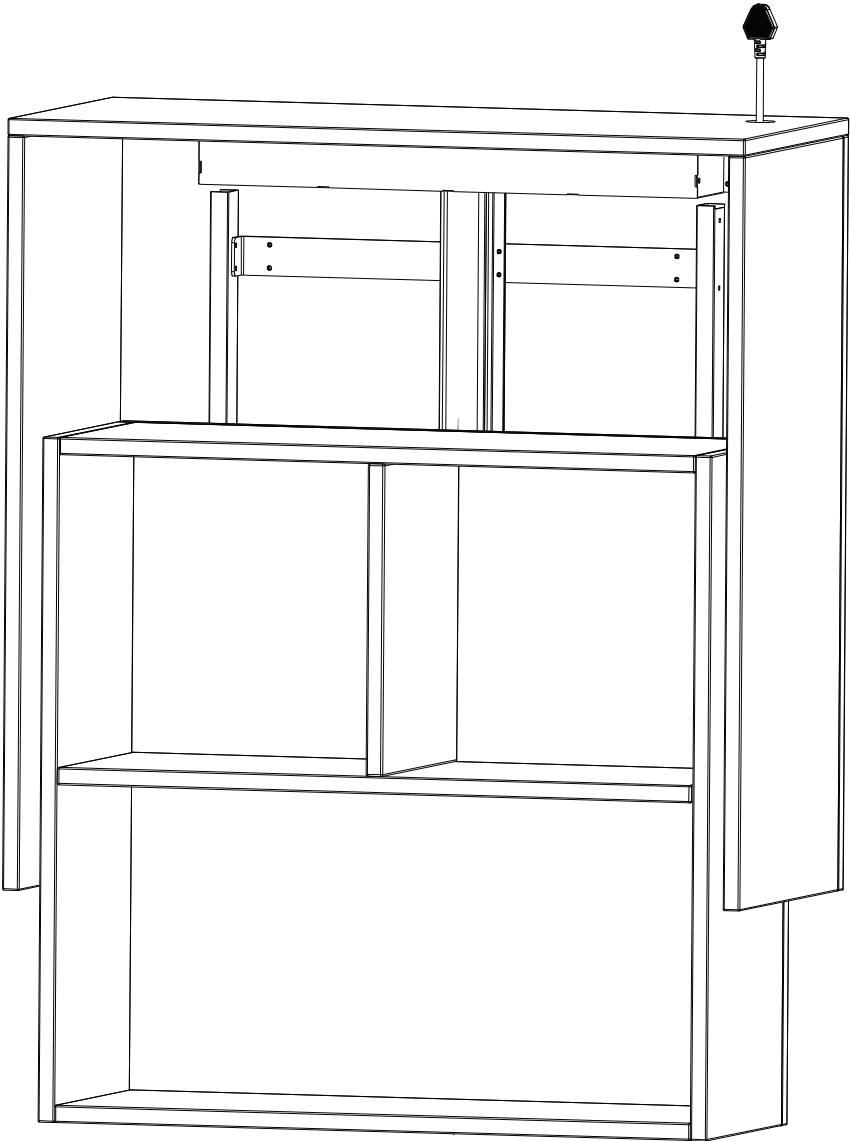
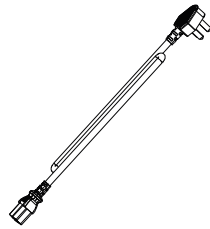
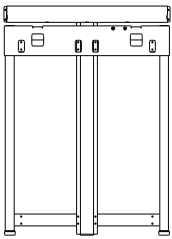


# B1

# INSTALLATION INSTRUCTIONS

---

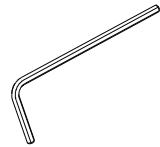




Power Cord\*1



Hook\*2



Hexagon Wrench\*1



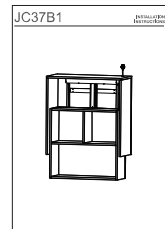
Set Screw\*1



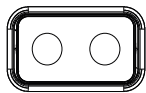
Screw1\*30



Screw2\*8



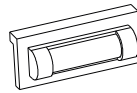
Instructions\*1



Controller\*1



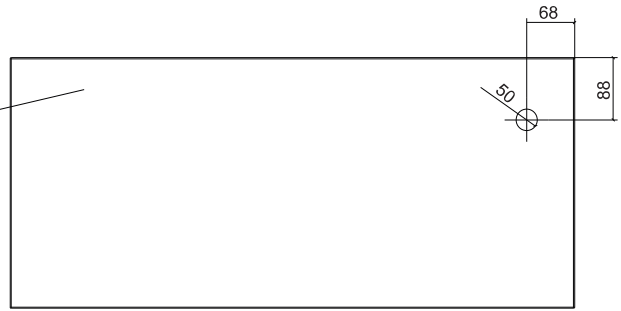
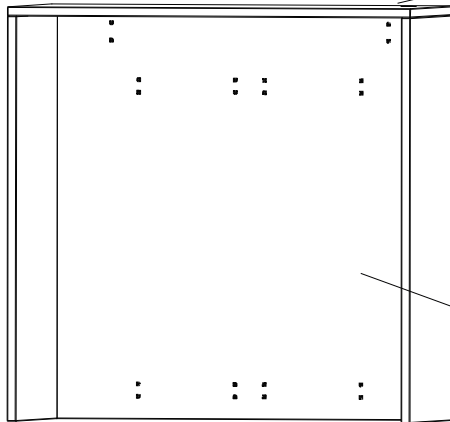
Hand screw\*2



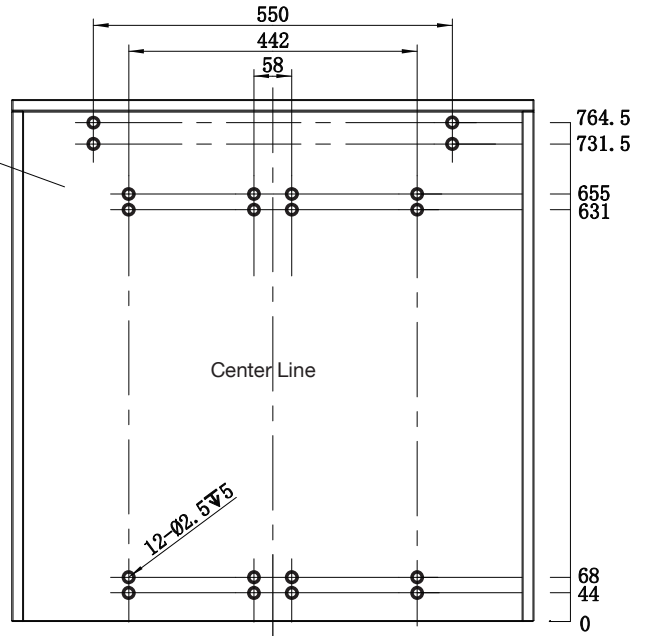
Leveler\*1

# 1 Preparation Before Installation

The back plate and top panel of the external cabinet shall be drilled in advance (factory drilling is recommended)



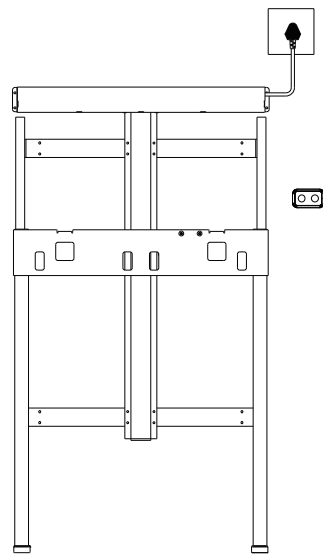
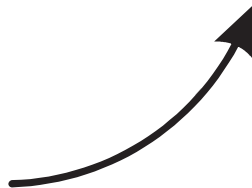
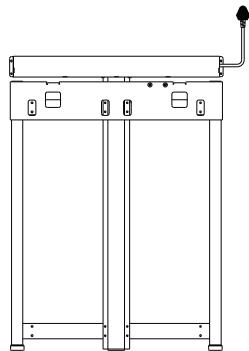
Top panel



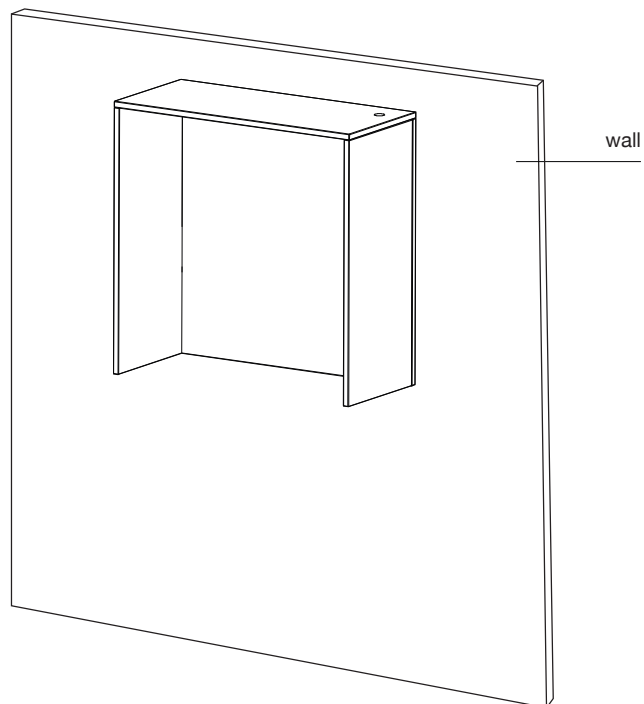
Backboard

## 2 Test lifting frame

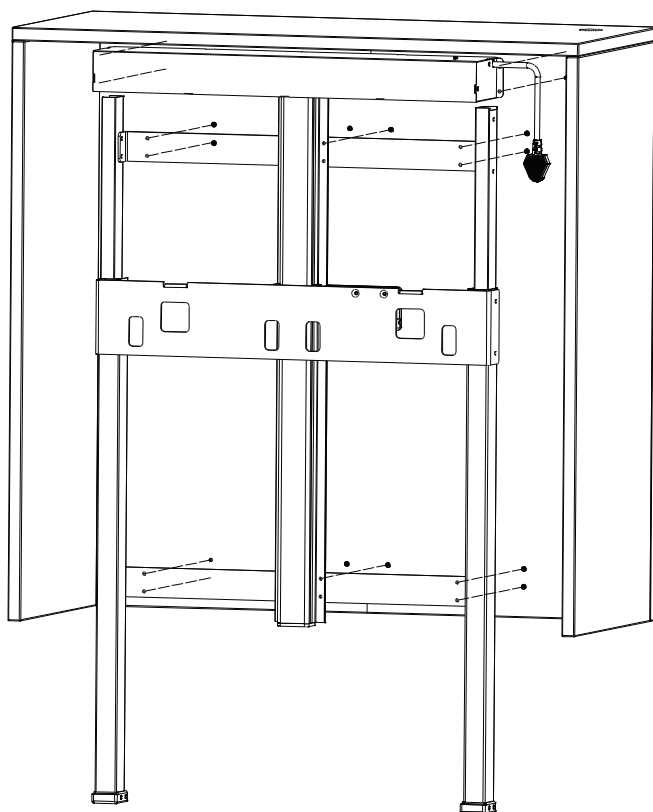
Power on the lifting frame, stop the lifting frame at the middle position, and then power off the lifting frame for standby.



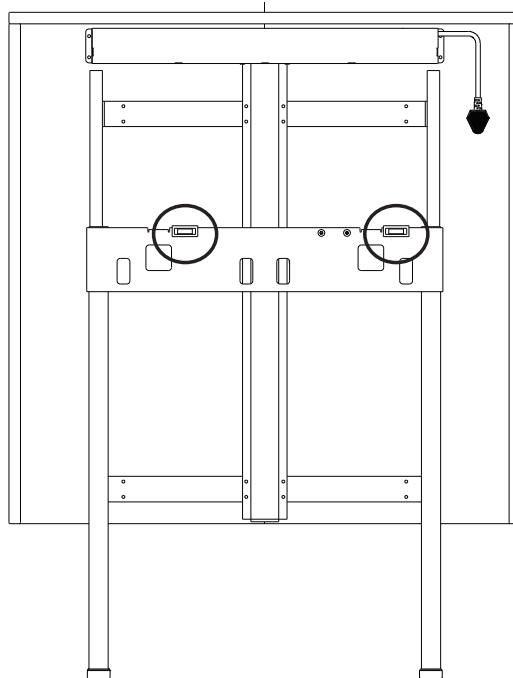
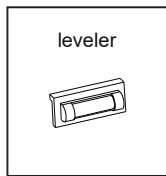
### 3 Install external cabinet against the wall



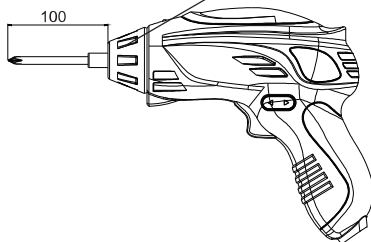
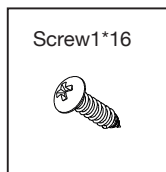
### 4 Align lifting frame holes against the external cabinet holes



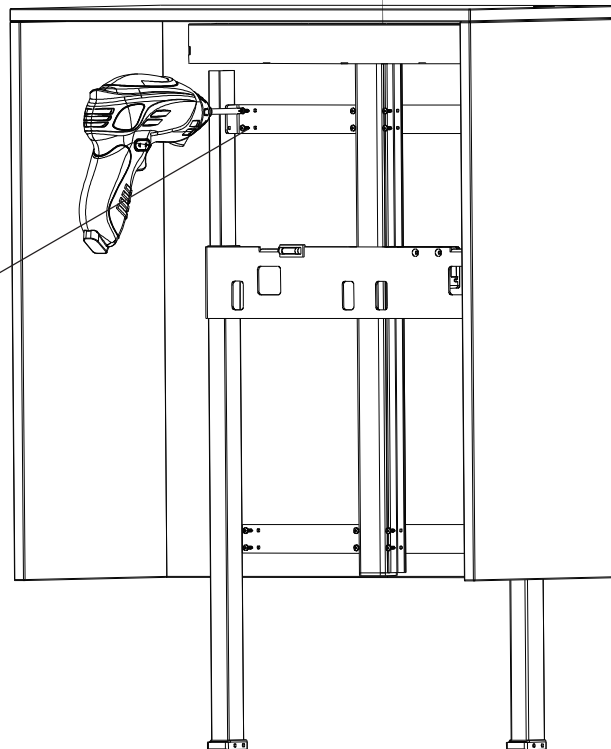
## 5 Calibrate and horizontally adjust lifting frame



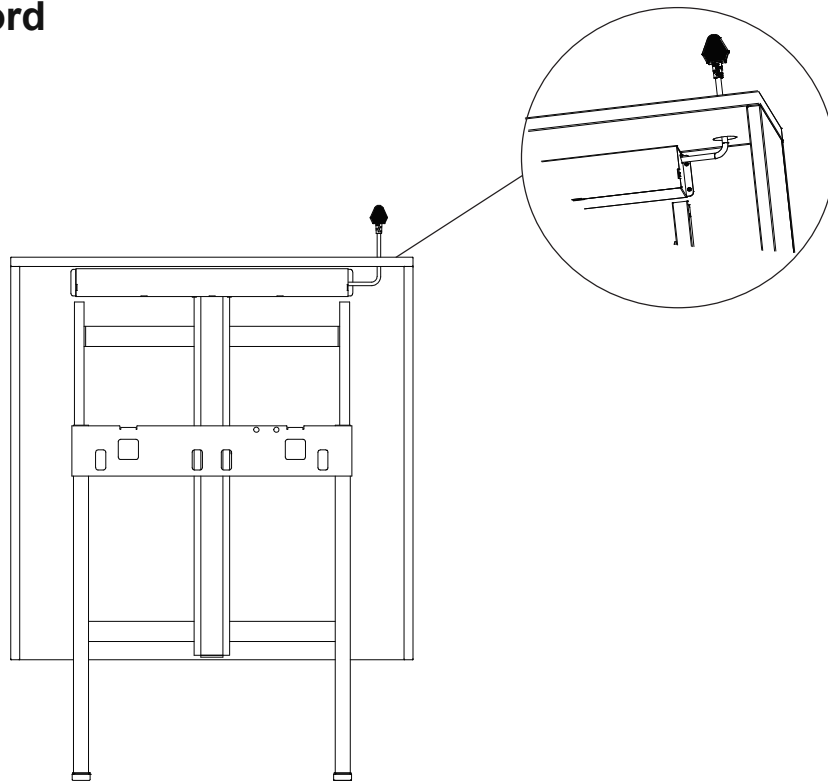
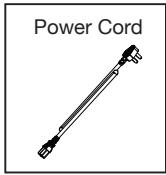
## 6 Install lifting frame onto external cabinet using screws



Recommended screw tip length:100mm

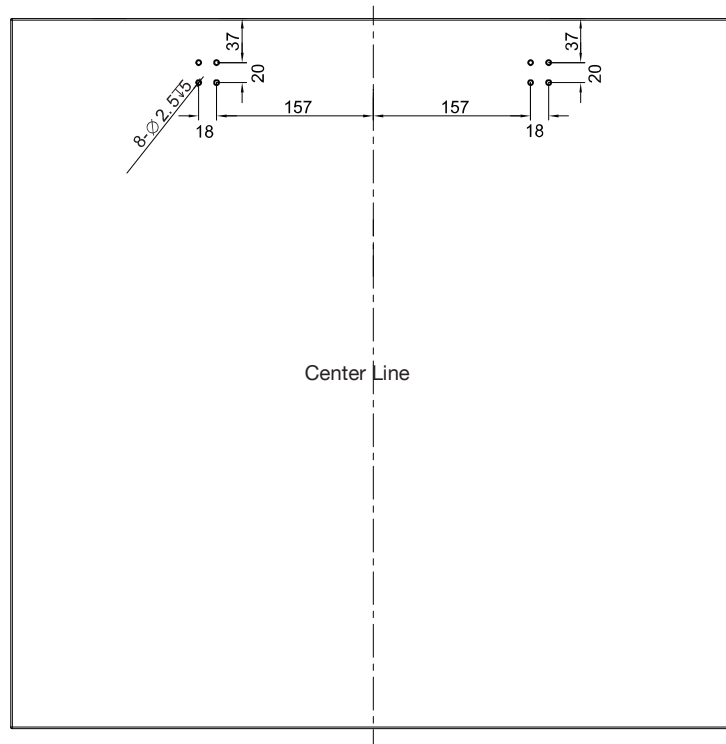


# 7 Install power cord

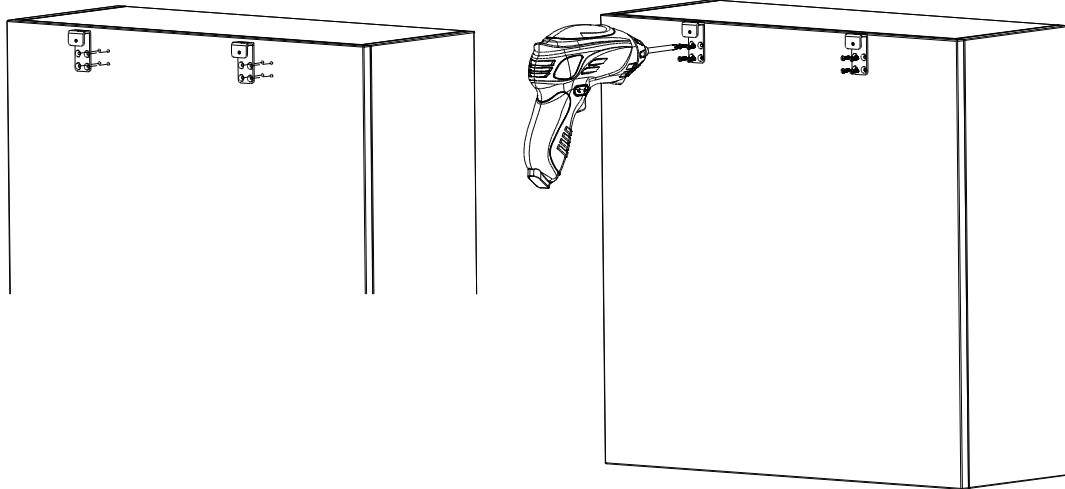
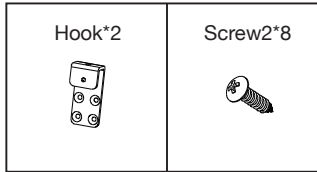


# 8 Drill holes on internal cabinet

Drill the internal cabinet back panel based on the diagram in advance (Factory drill is recommended)

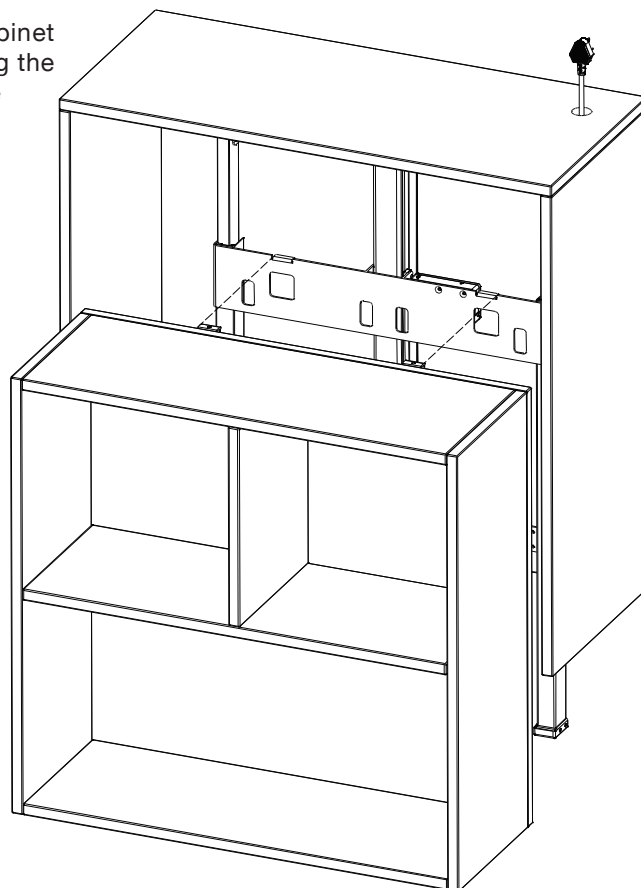


## 9 Install Hooks

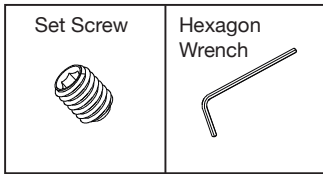


## 10 Install internal cabinet onto the lifting frame

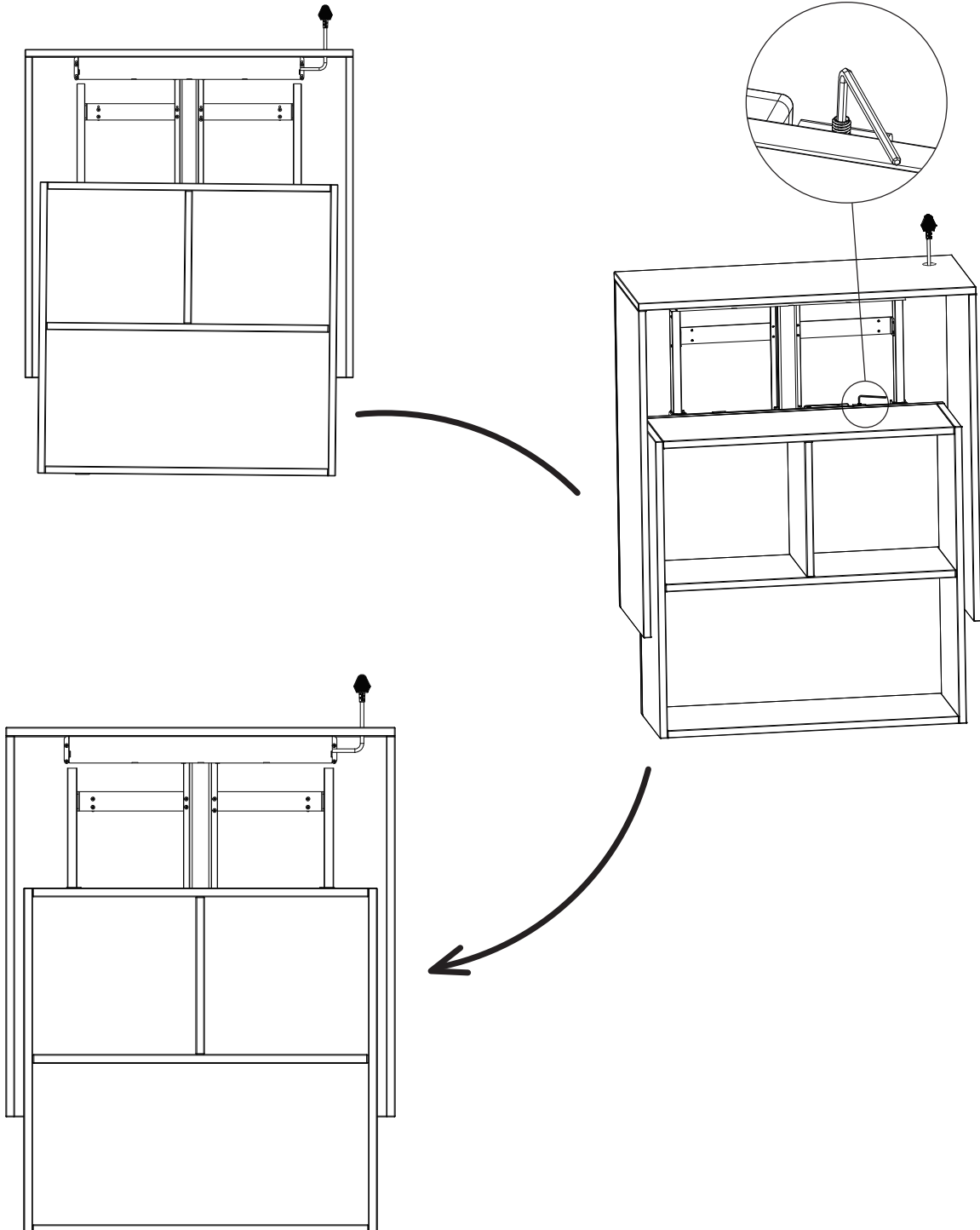
Align the hook of the inner cabinet with the lifting frame, and hang the internal cabinet on the lifting frame



# 11 Adjust internal cabinet

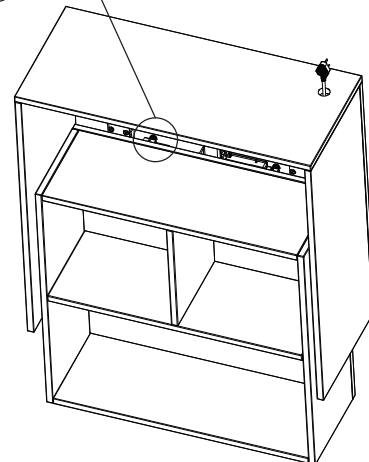
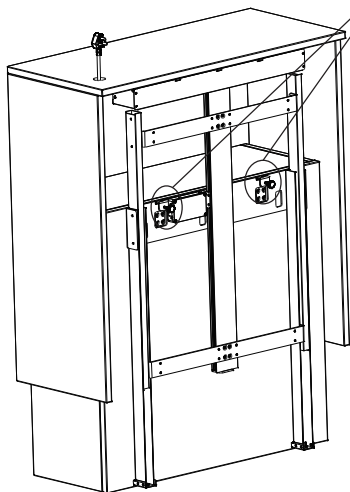
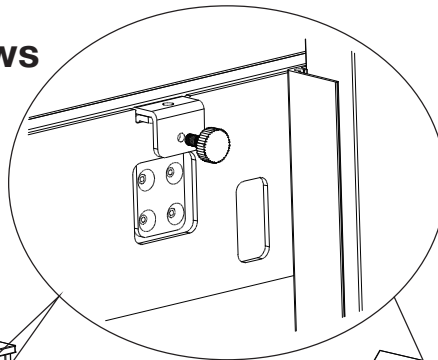


Use hexagon wrench to adjust set screw to ensure internal cabinet hang properly





# 12 Install the hand screws



# 13 Install the remote controller

