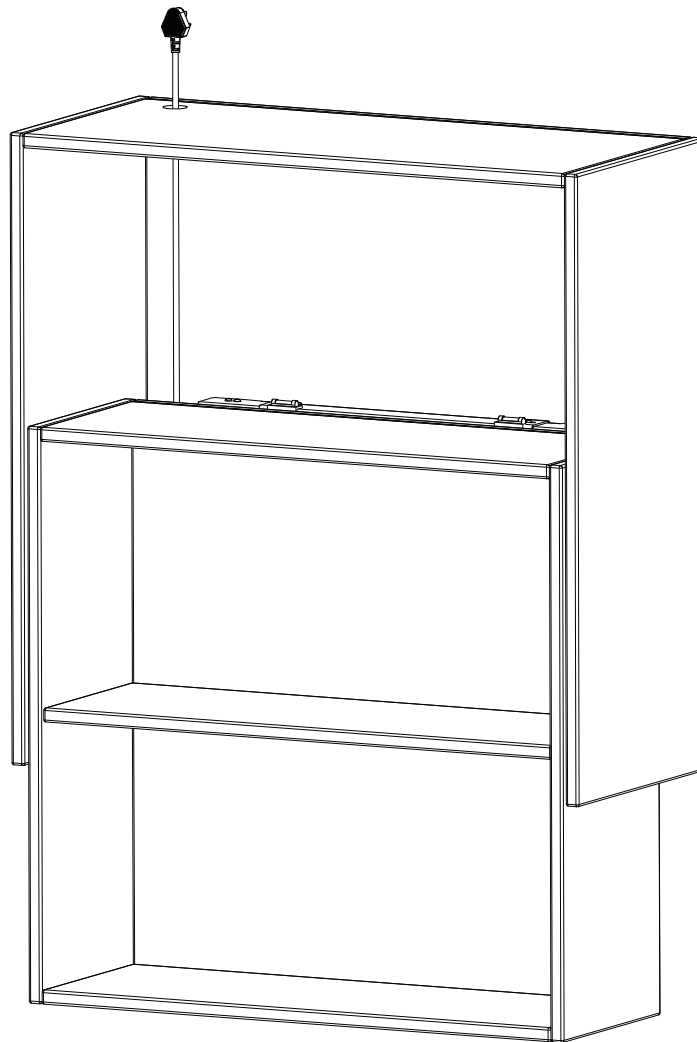
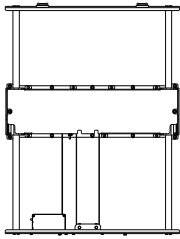
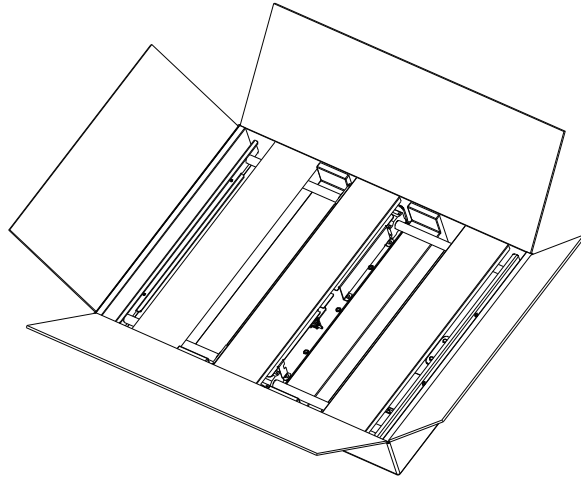


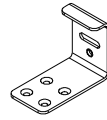
B2

INSTALLATION INSTRUCTIONS

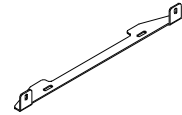




Power Cord*1



Hook*2



Anti pulling metal plate*1



Set screw*



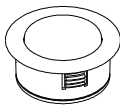
Screw1*14



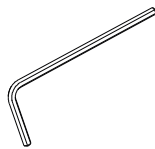
Screw2*8



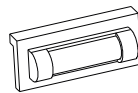
Screw3*4



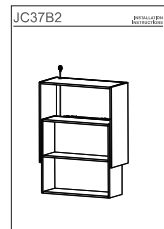
Controller*1



Hexagon wrench*1



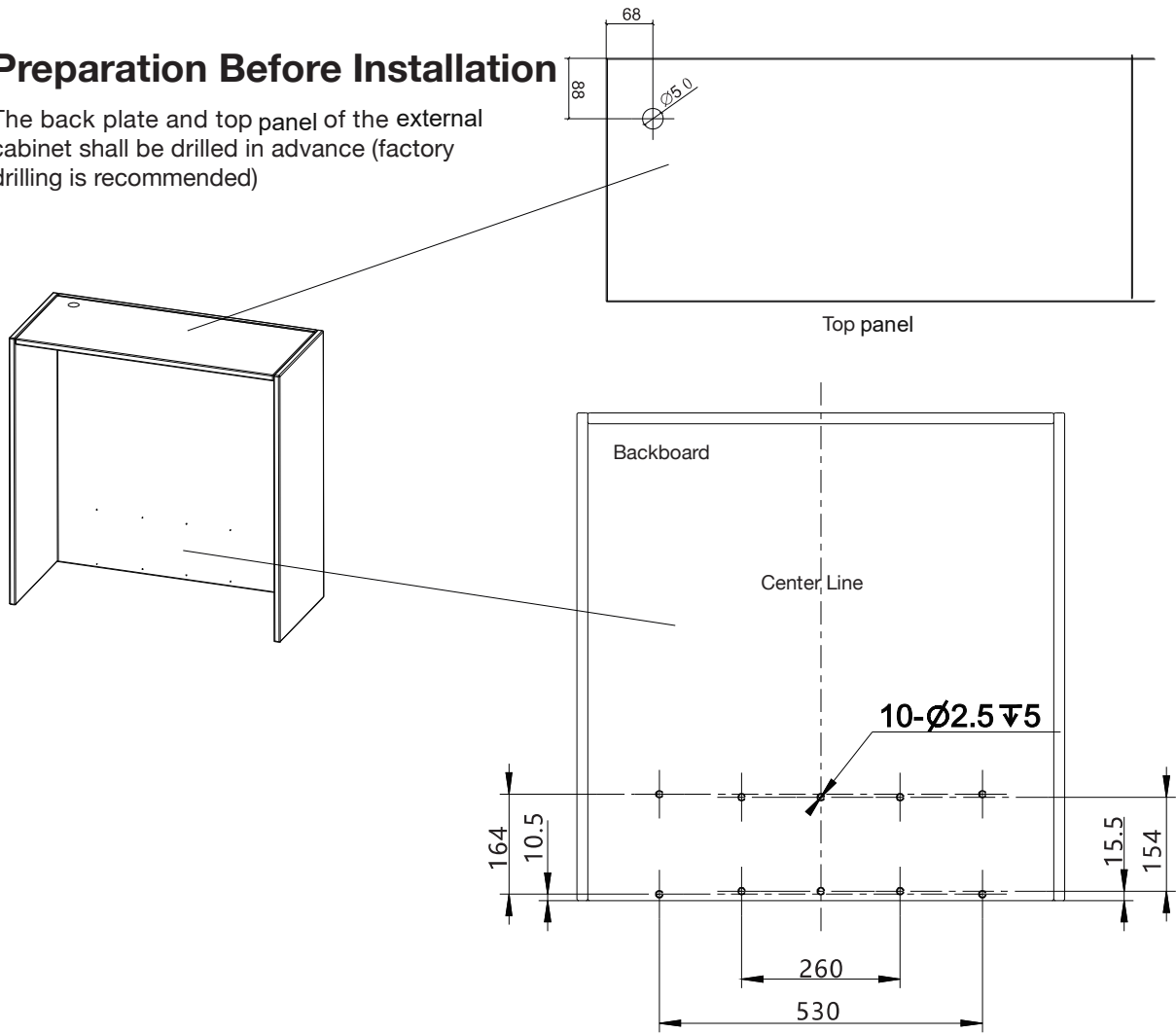
Leveler*1



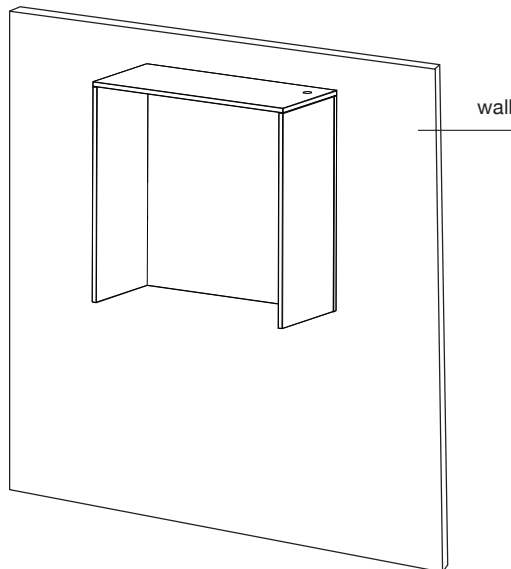
Instructions*1

1 Preparation Before Installation

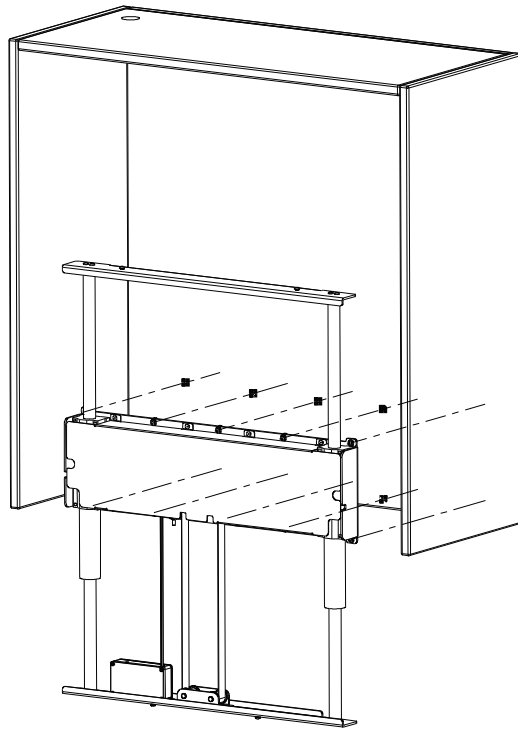
The back plate and top panel of the external cabinet shall be drilled in advance (factory drilling is recommended)



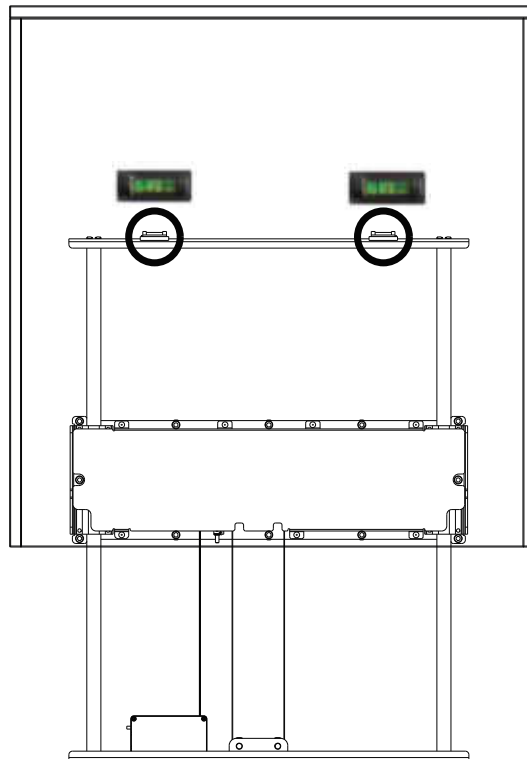
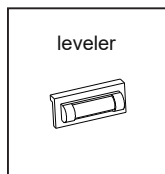
2 Install external cabinet against the wall



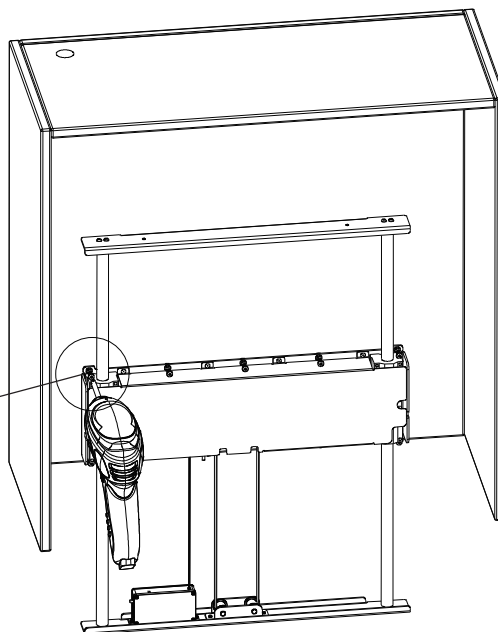
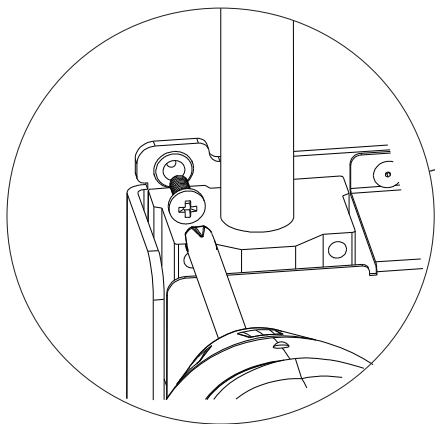
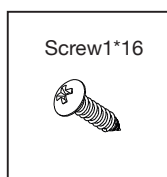
3 Align lifting frame holes against the external cabinet holes



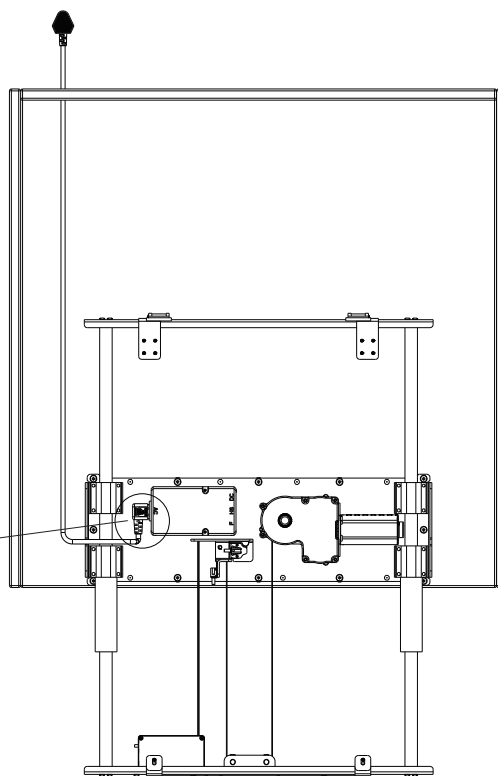
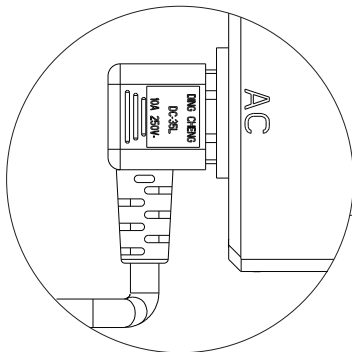
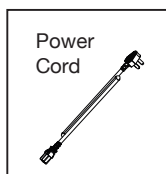
4 Calibrate and horizontally adjust lifting frame



5 Install lifting frame onto external cabinet using screws

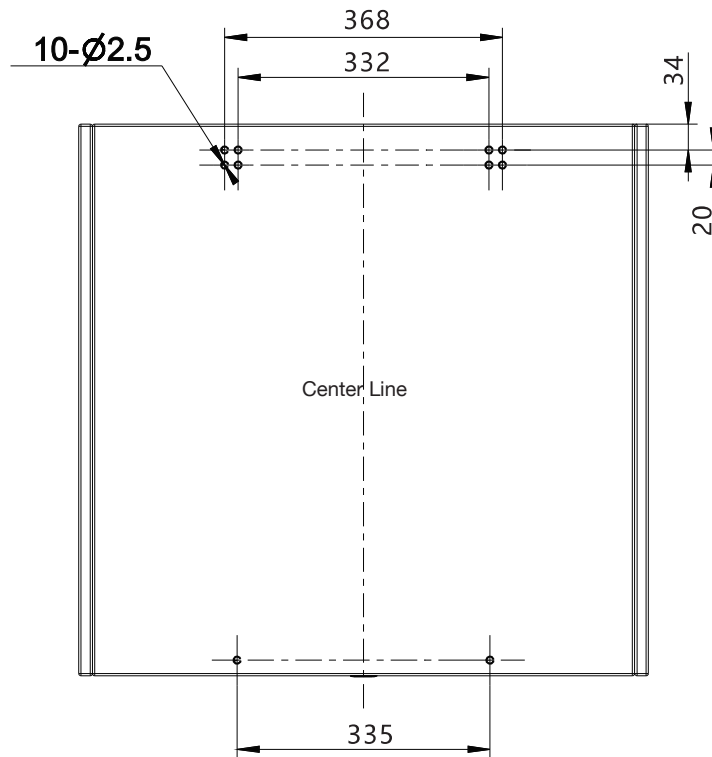


6 Install power cord


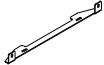




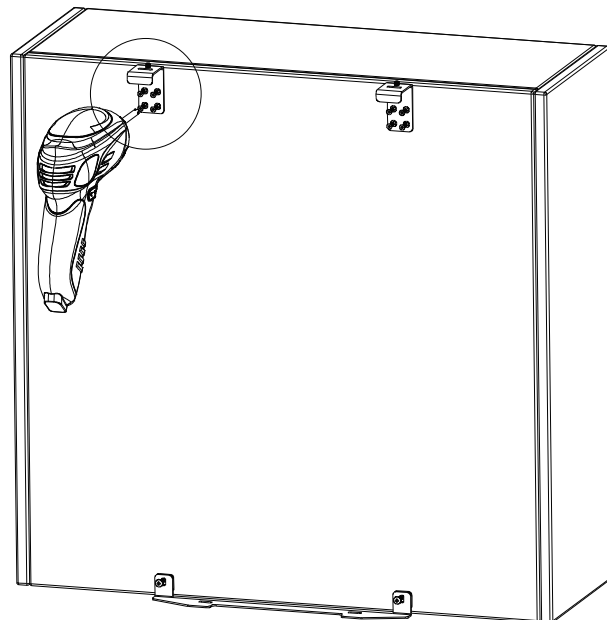
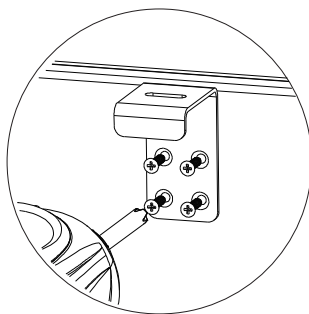
7 Drill holes on internal cabinet

Drill the internal cabinet back panel based on the diagram in advance (Factory drill is recommended)

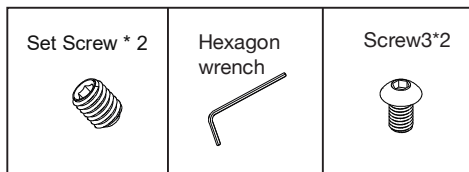


8 Install Hooks

Hook*2 	Anti pulling sheet metal 	Screw1*2 	Screw2*8 
---	---	---	---

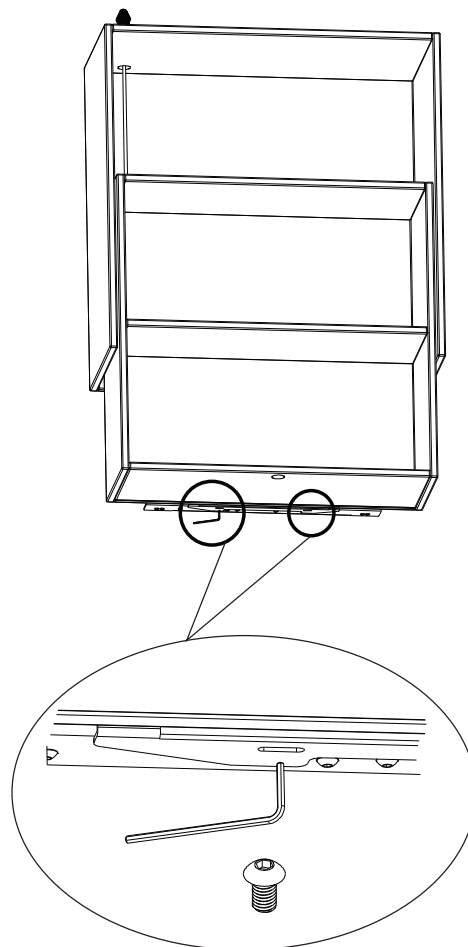
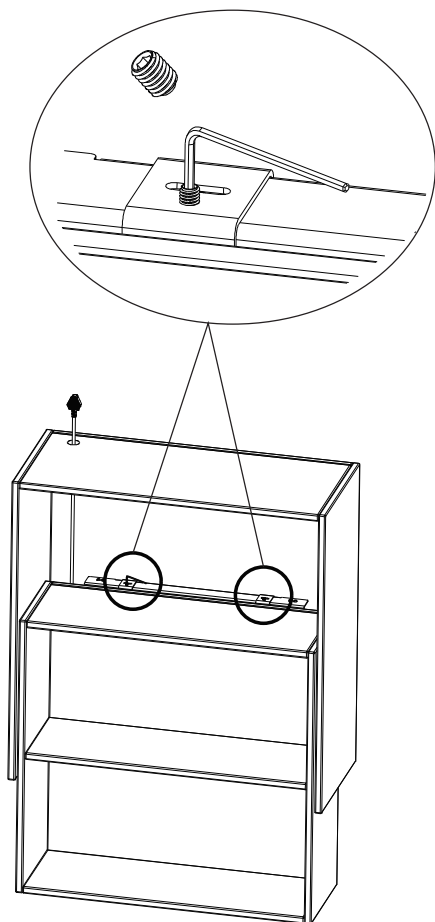
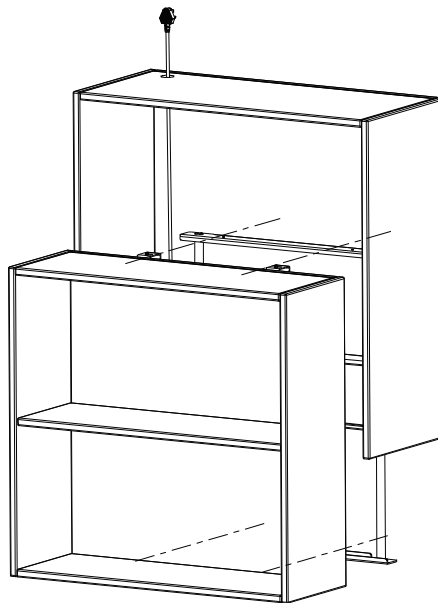


9 Install internal cabinet onto the lifting frame

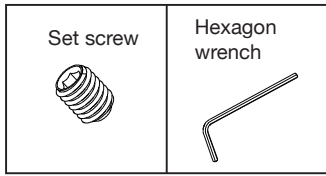


1. Note: the hook of the inner cabinet shall be aligned with the lifting frame first and fastened from top to bottom.

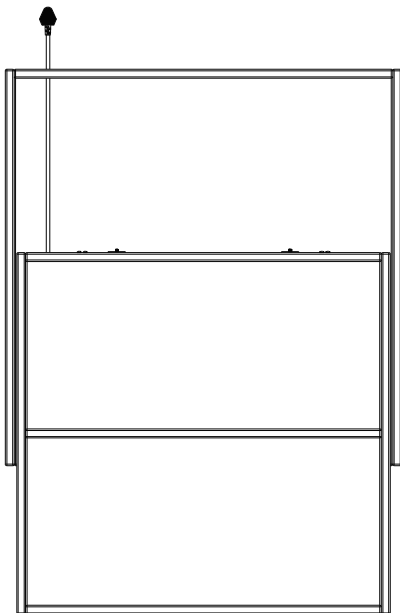
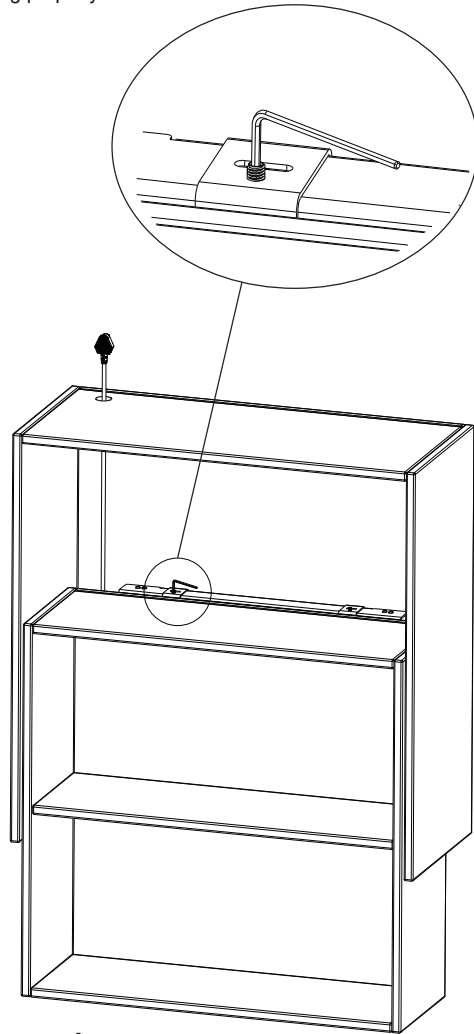
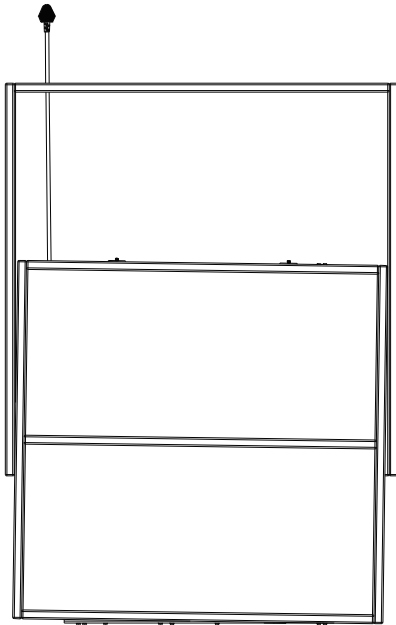
2. Pre install the set screw and the fixing screw 3 of the anti pull metal plate (not tightened).



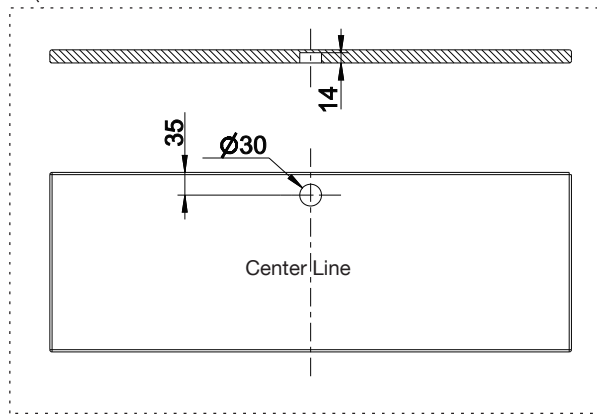
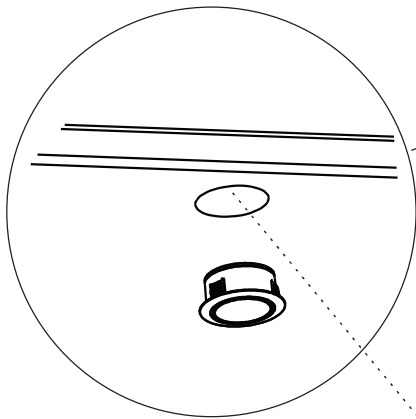
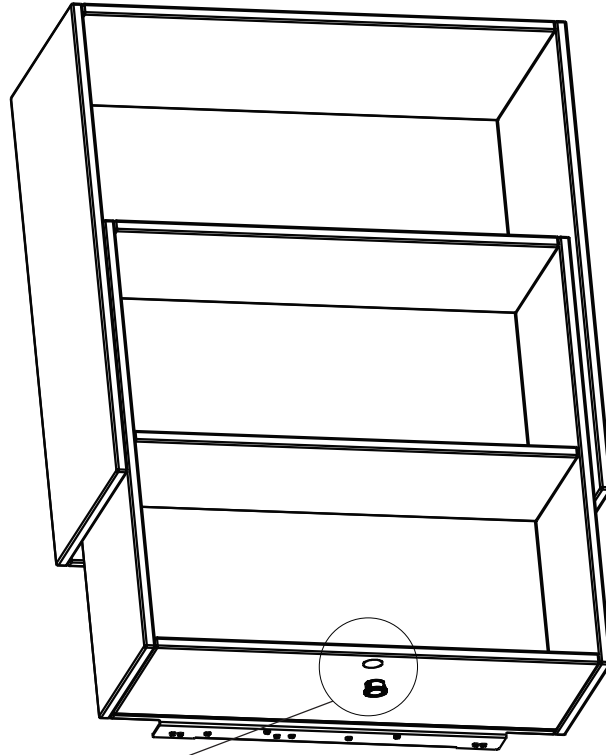
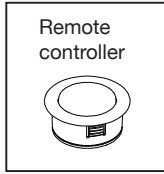
10 Adjust internal cabinet



Use hexagon wrench to adjust set screw to ensure internal cabinet hang properly



12 Install the remote controller



Drill diagram and size of for the bottom panel of internal cabinet