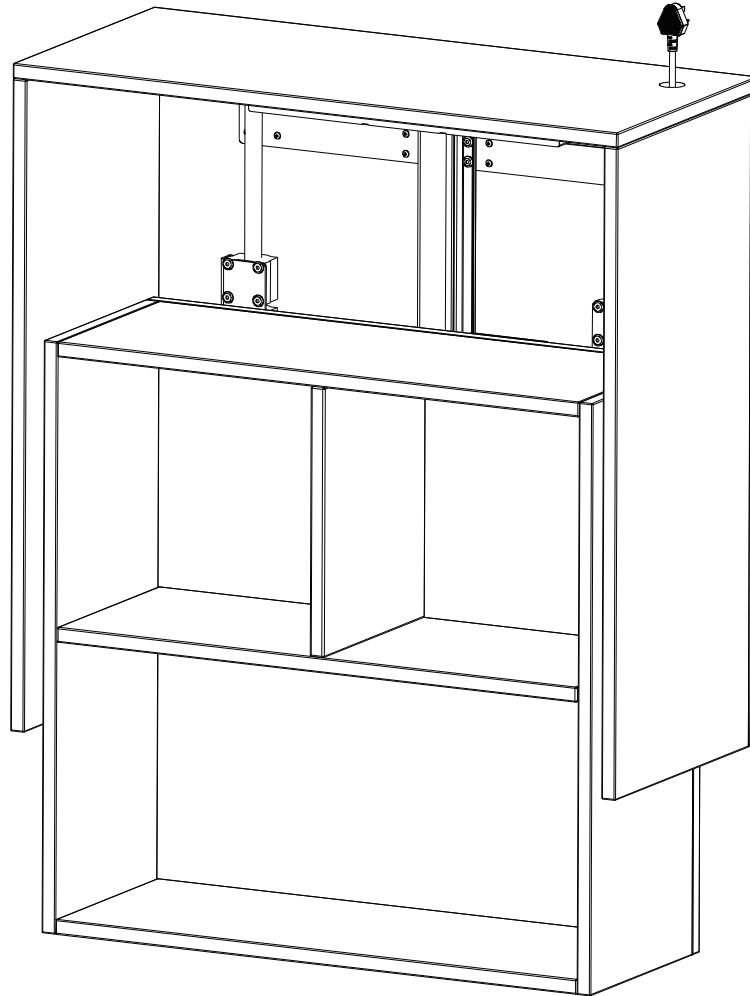
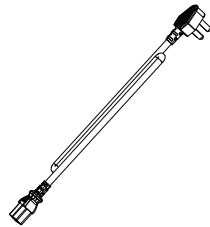
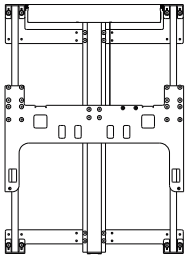
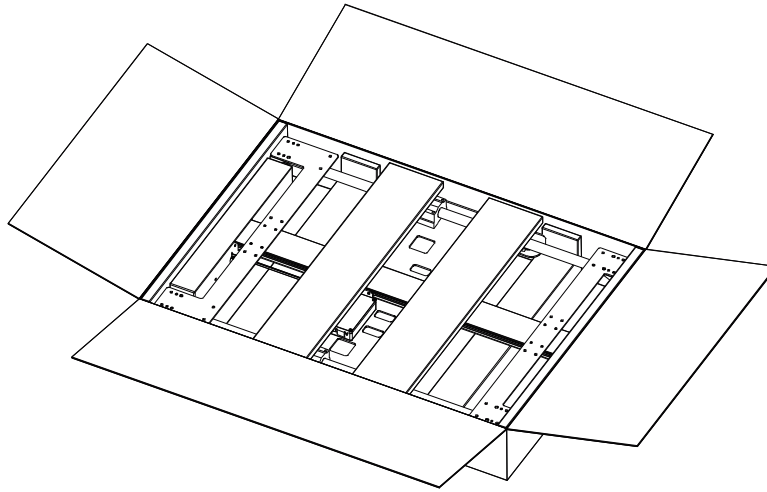


# B5

## INSTALLATION INSTRUCTIONS

---

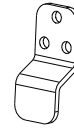




Power Cord\*1



Hook1\*2



Hook2\*3



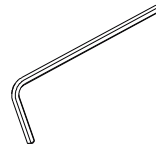
Set screw\*1



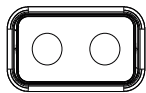
Screw1\*30



Screw2\*8



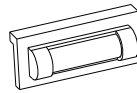
Hexagon wrench\*1



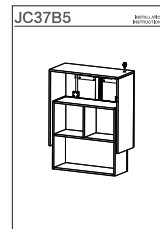
Controller\*1



Hand screw\*2



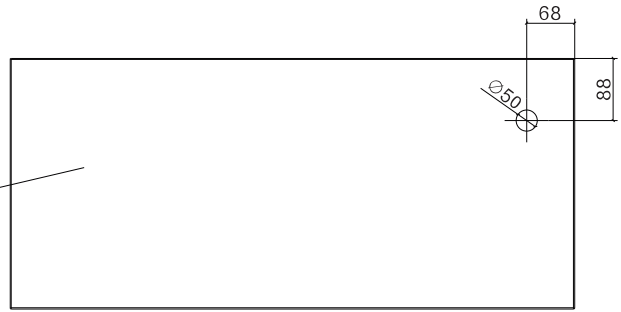
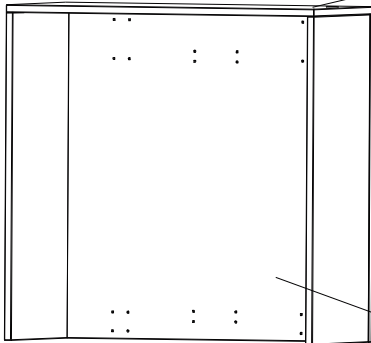
Leveler\*1



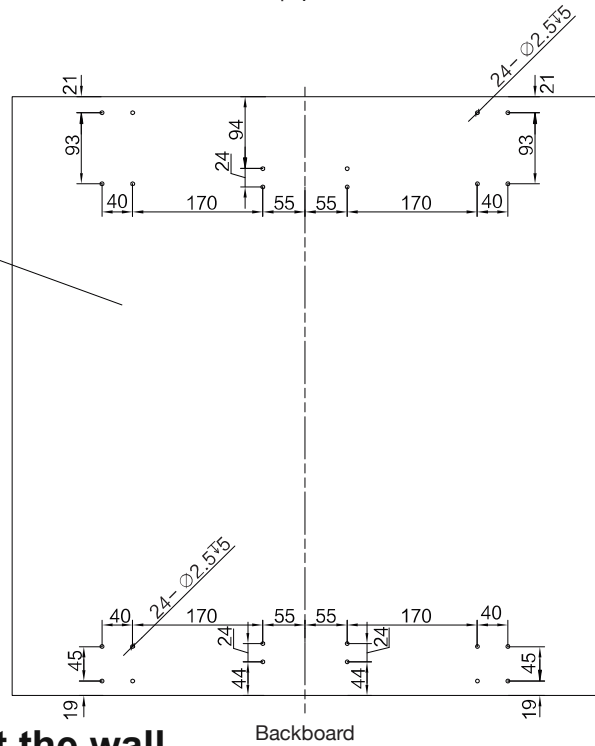
Instructions\*1

# 1 Preparation Before Installation

The back plate and top panel of the external cabinet shall be drilled in advance (factory drilling is recommended)

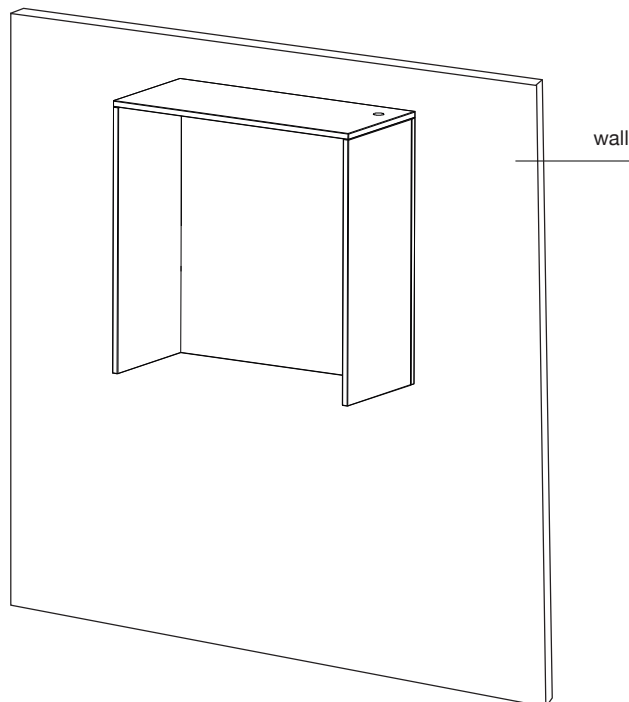


Top panel

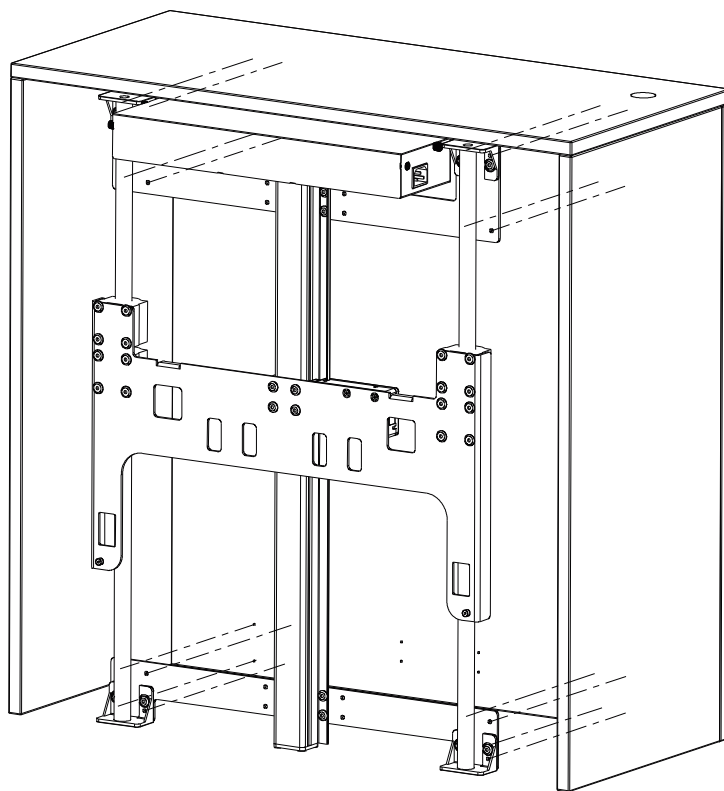


Backboard

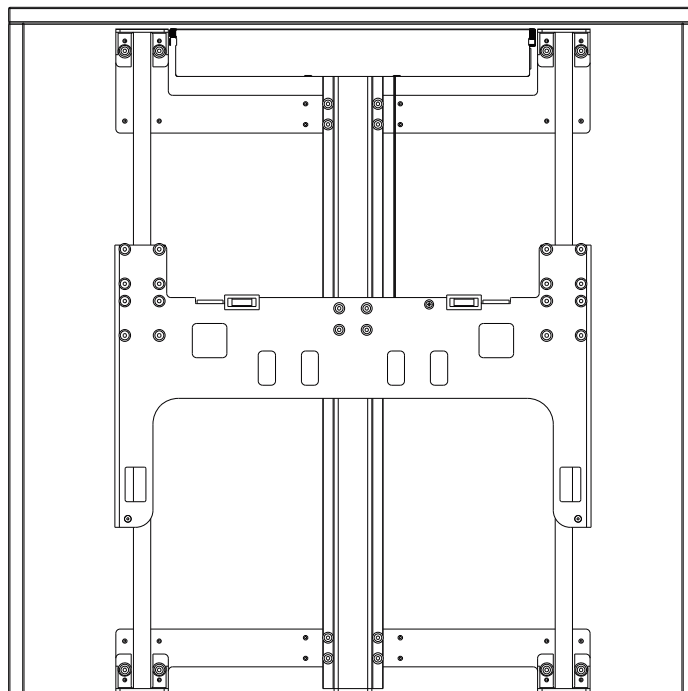
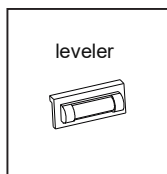
# 2 Install external cabinet against the wall



### 3 Align lifting frame holes against the external cabinet holes

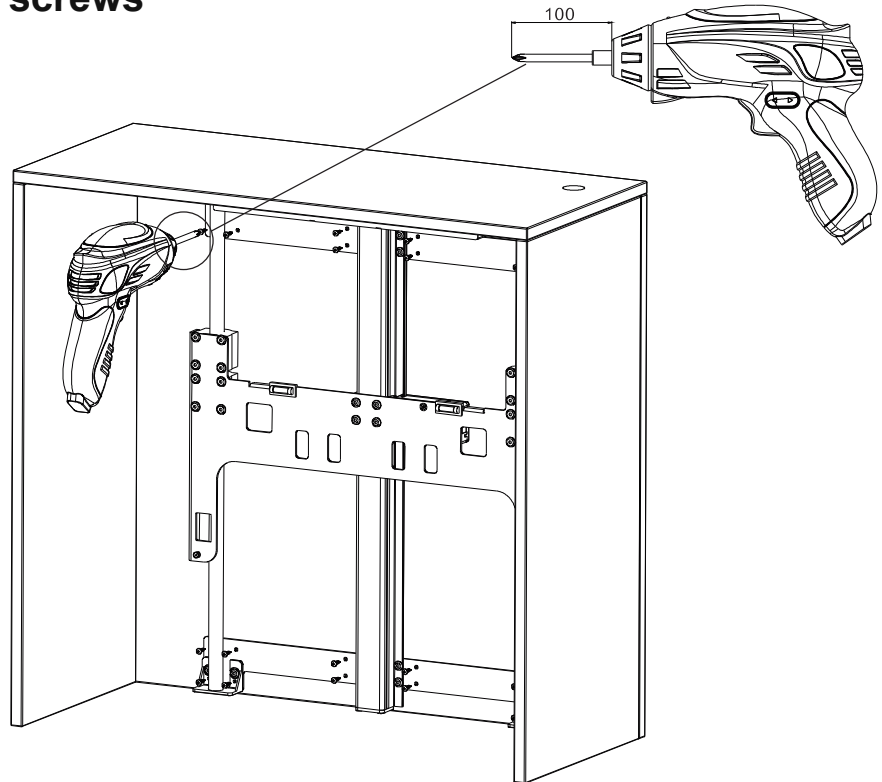
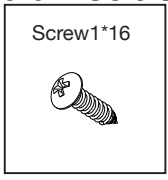


### 4 Calibrate and horizontally adjust lifting frame

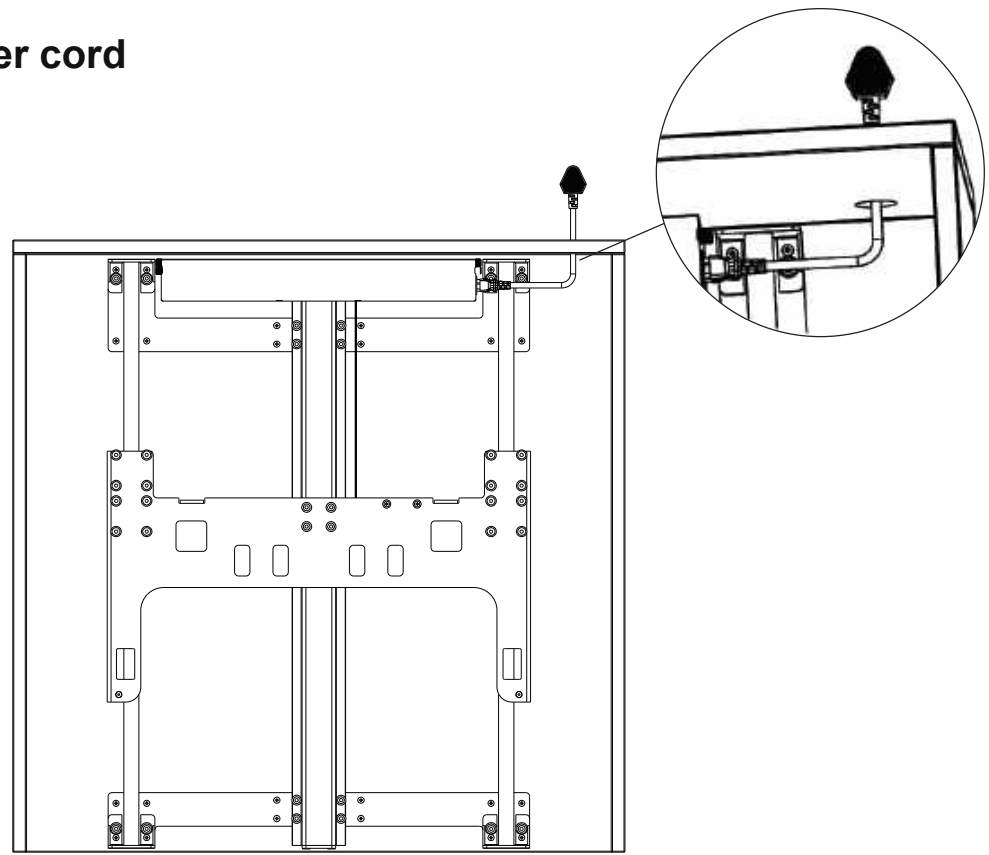
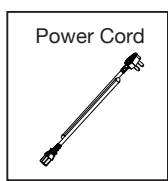


# 5 Install lifting frame onto external cabinet using screws

Recommended screw tip length: 100mm

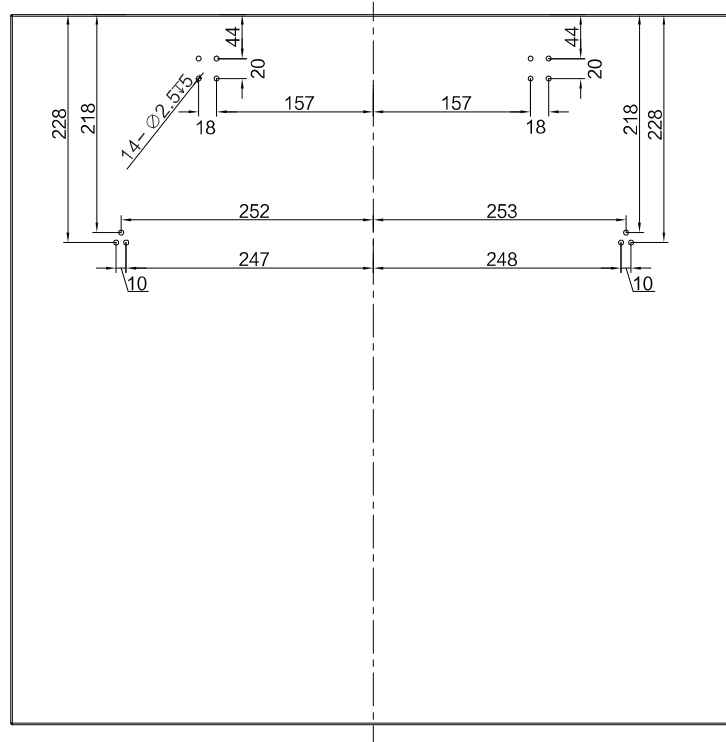


# 6 Install power cord







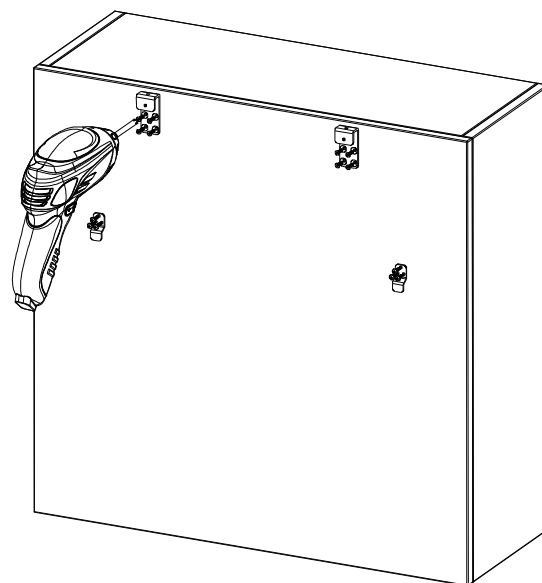
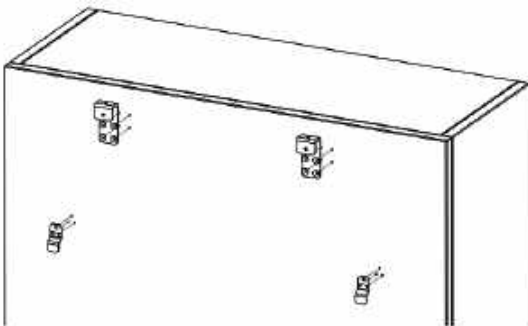
# 7 Drill holes on internal cabinet

Drill the internal cabinet back panel based on the diagram in advance (Factory drill is recommended)

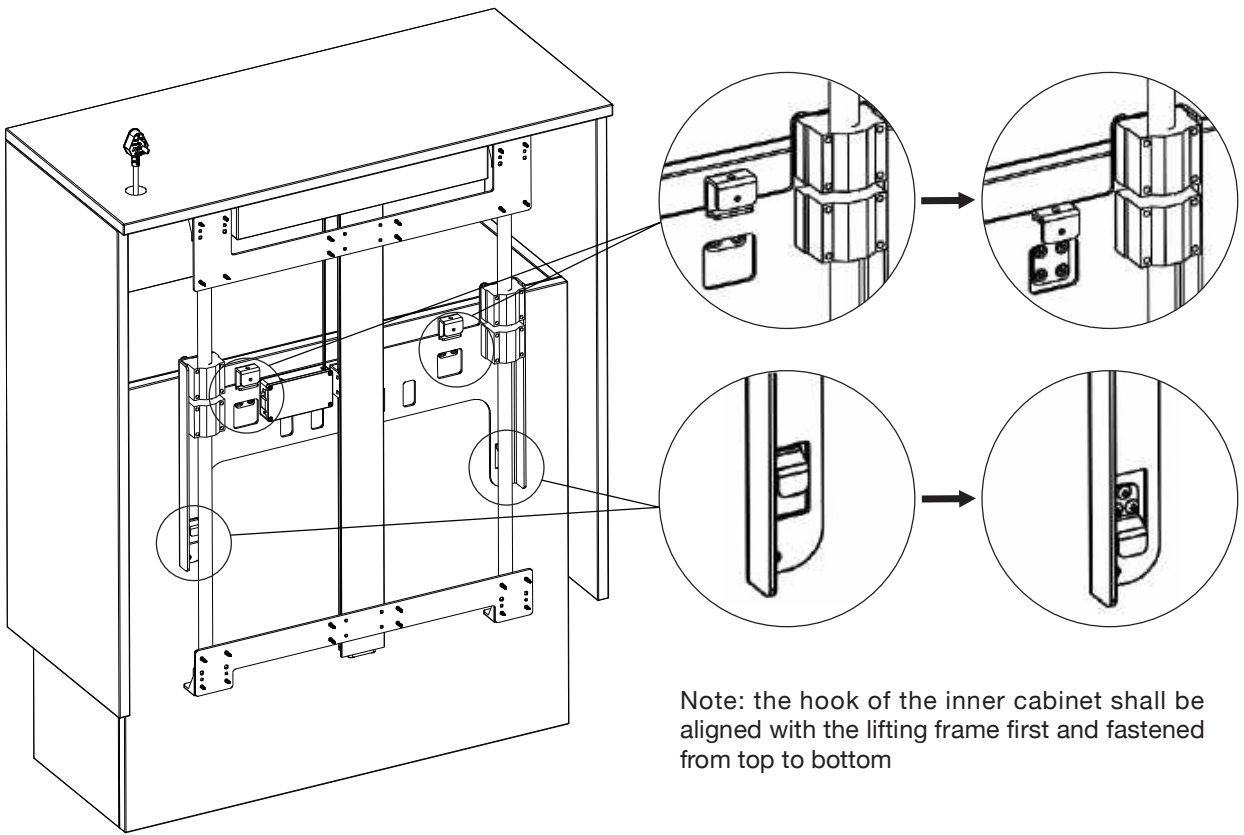
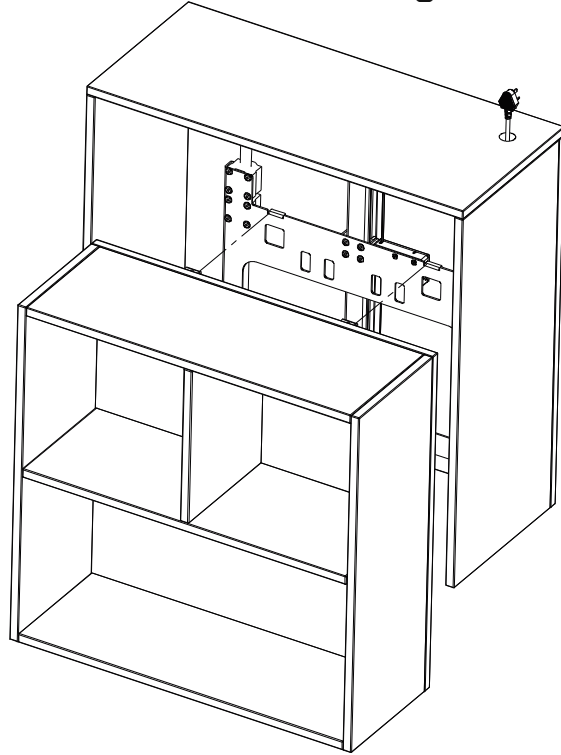


# 8 Install Hooks

Hook1*2 	Hook2*2 	Screw1*6 	Screw2*8 
--	--	---	---

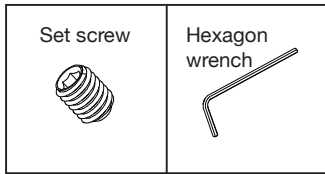


# 9 Install internal cabinet onto the lifting frame

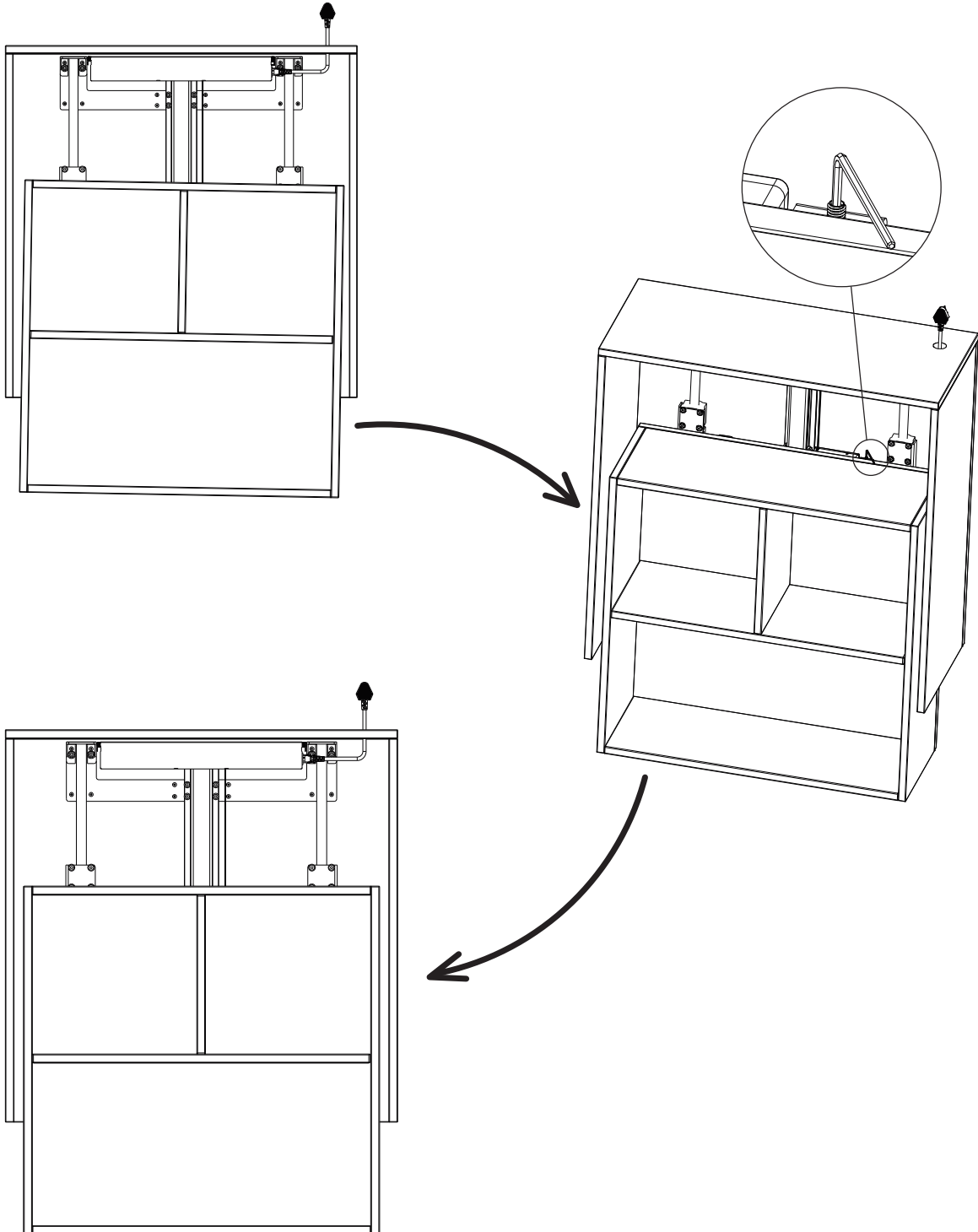


Note: the hook of the inner cabinet shall be aligned with the lifting frame first and fastened from top to bottom

# 10 Adjust internal cabinet

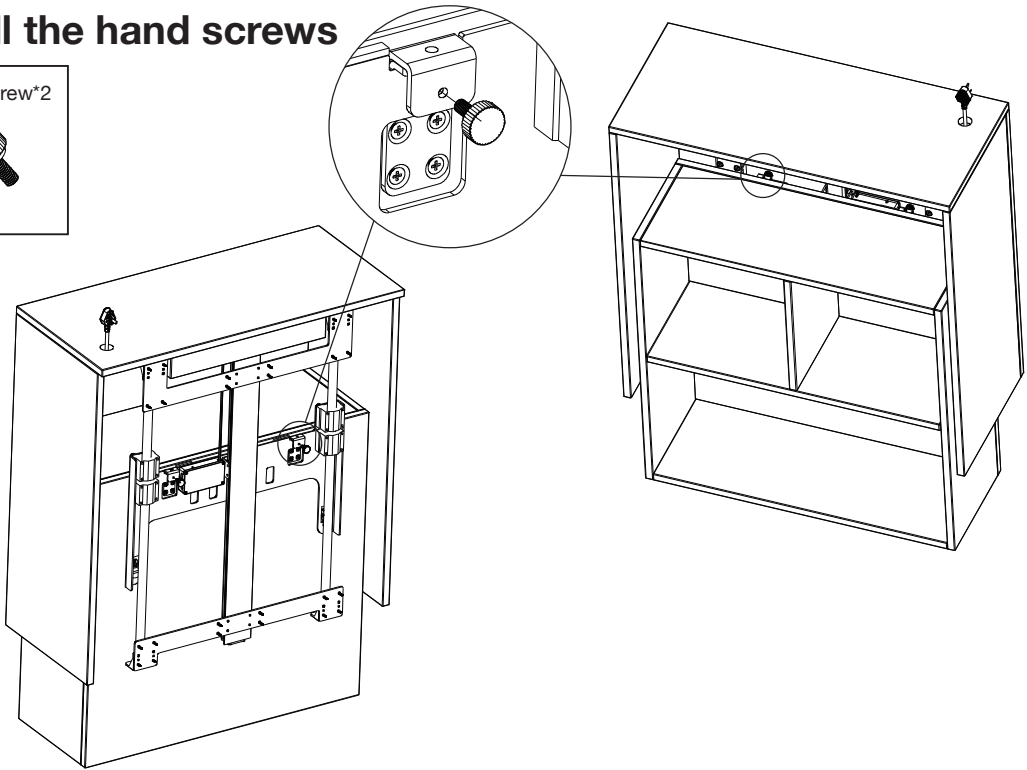


Use hexagon wrench to adjust set screw to ensure internal cabinet hang properly





# 11 Install the hand screws



# 12 Install the remote controller

